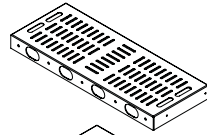


RSF1031BK11S4K5 1U Vented Shelf Installation

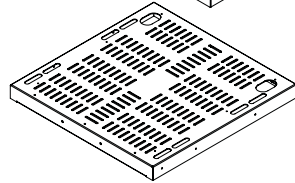


Included in this package

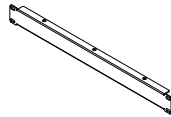
(1) Short Vented Panel



(1) Main Vented Panel



(1) Front Cover Panel



(8) M4 x 8 Screws



(8) #10-32 x 5/8 Screws



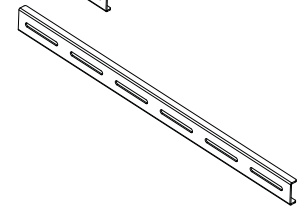
(8) #12-24 x 5/8 Screws



(2) Rear L Bracket

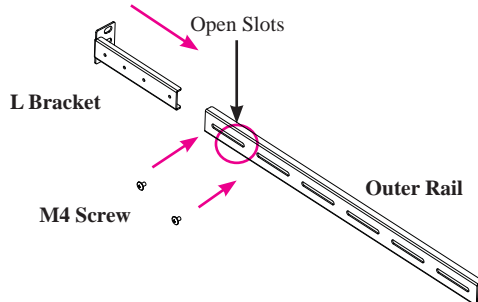


(2) Outer Rail

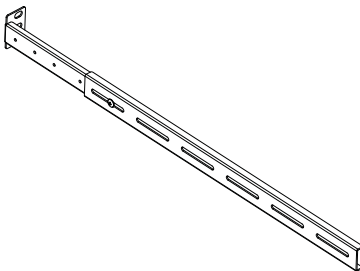


Installation Steps

1. Mounting the front L bracket as show in the picture below. Align open slot on outer rail with screw holes on the L Bracket.

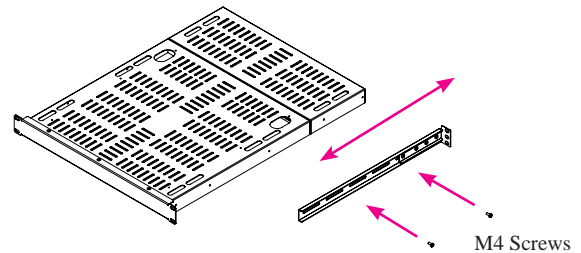


2. Secure L Bracket to outer rail with 1 or 2 M4 screws. Do not tighten yet.



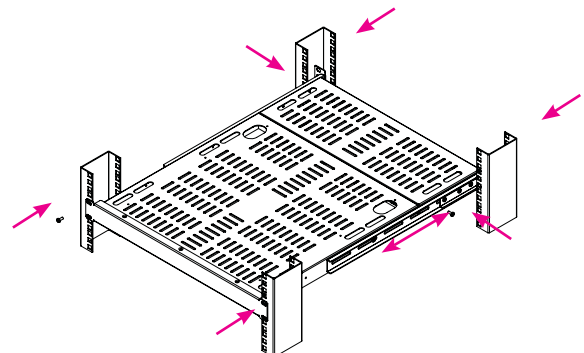
3. Repeat Step 1 to 2 for 2nd set of Rail.

4. Attach outer rail to right side of shelf. Align open slot with screw holes on the shelf. Extended outer rail to depth of your cabinet. Secure outer rail to shelf with 1 or 2 M4 screws.



5. Repeat Step 4 for left side rail. Secure outer rail to shelf with 1 or 2 M4 screws.

6. Attach the shelf on to the cabinet rail. Adjust height as required. Use included rack screws to secure front side first. You will need a 2nd person to help holding the rear side while you secure front of shelf to rack rail. Once front side is secured. You can readjust the rear L bracket to cabinet depth. Tighten all screws on rear L bracket and tighten all rack screws.



Installation Complete.